

## Wall-Hung Water Closet

### PRODUCT FEATURES

- Wall hung low capacity water closet
- Wall hung toilet can be paired with Rigel conceal cistern or conceal box flush valve system

### FLUSHING TYPE

- Wash down

### PRODUCT SPECIFICATIONS

- Dimension : 600 (L) x 365 (W) x 380 (H) mm
- Inlet : Back Inlet
- Material : Vitreous China
- Trap Seal : 50mm minimum
- Minimum Water Pressure : 135 kPa
- Seat and Cover : BP111 (PP)

### DISCHARGE VOLUME

- Full Flush : 4.5 – 6 Litre per flush
- Reduced Flush : 3.0 Litre per flush



### RESOURCEFUL FEATURES:



Soft-Closing Seat & Cover

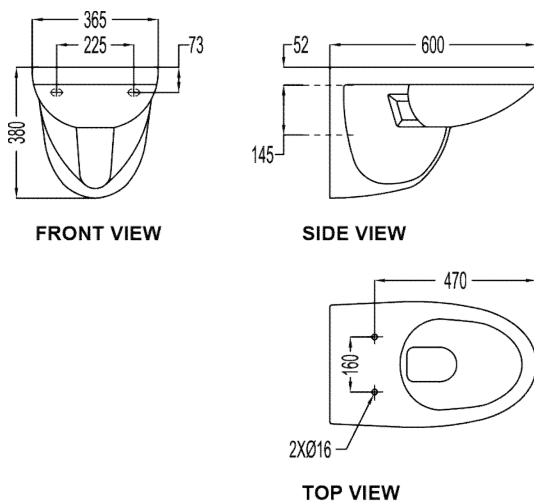


Dual Flush Mechanism

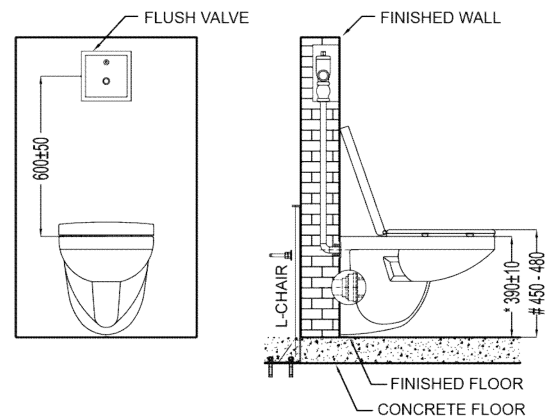


Anti-Bacterial Technology

### TECHNICAL DRAWING



### INSTALLATION DETAILS



STANDARD (\*) - 390±10 from floor finishing to the rim of water closet.  
 HANDICAPPED (#) - 450 ~ 480 from floor finishing to the top of the water closet seat.  
 750 from the front edge of the water closet to the rear wall.